



WIRELINE ADAPTER KIT

FOR DUAL BORE RSB PACKER

4-1/2" X 2.688" X 2.062"

Manual No:
DL-269-4500-281

Revision: **A**

Revision Date:
03/30/2016

Authored by: *J.Anderson*

Approved by: *K.Riggs*

A) DESCRIPTION

The Wireline Adapter Kit (WLAK) for Dual Bore Retrievable Seal Bore (RSB) Packer is used set the packer on electric wireline or with a compatible hydraulic setting assembly on tubing. The WLAK is designed to be used on a Baker E-4 wireline powder charge, hydraulic setting assembly or any setting assembly with the same configuration.

The WLAK automatically disconnects from the packer during packer setting to be easily retrieved and prepared to run again.

NOTE₁: Refer to applicable RSB Packer technical manual(s) for packer specific technical information including operating procedures and packer disassembly.

B) RELATED TOOLS (sold separately)

B-1) 4-1/2" X 2.688" X 2.062" Dual Bore RSB Packer (P/N varies)—refer to applicable technical manual.

C) SPECIFICATION GUIDE

CASING SIZE (INCHES)	TOOL OD (INCHES)	PRESSURE SETTING TOOL	PART NUMBER
4-1/2	3.75	#10 BAKER E-4	26945

D) PRE-INSTALLATION INSPECTION PROCEDURES

CAUTION₁: D&L ships tool connections made-up **HAND TIGHT**—labeled with hand-tight tape on the tool (Fig. 1)—unless stated otherwise. Tighten/torque all connections properly before operating tool.



Fig. 1

GENERAL THREAD CONNECTION TORQUE RECOMMENDATIONS			
STUB ACME / ACME THREADS	INTERNAL TAPERED TUBING THREADS		PREMIUM THREADS
	UP TO 2-3/8"	GREATER THAN 2-3/8"	
600 – 800 FT-LBS	600 – 800 FT-LBS	800 – 1,200 FT-LBS	Consult thread manufacturer's recommendations.

Before first use, D&L recommends disassembly and inspection of the tool unless stated otherwise. Ensure parts have not been damaged during shipping. Replace damaged parts with D&L replacement parts. Contact D&L sales for replacement part information.

Re-assemble the tool after inspection. Install parts in the correct order and orientation. Properly tighten connections.

Before re-using the tool, D&L recommends disassembly and inspection of the tool. Clean parts and ensure parts are in good working condition. Replace worn or damaged parts with D&L replacement parts.

When redressing the tool, D&L recommends replacement of all shear pins, etc. Contact D&L sales for replacement part information.

E) OPERATING PROCEDURES

Assemble WLAK to packer and pressure setting assembly. Run assembly to the desired depth. Follow pressure setting assembly manufacturer's procedures for setting equipment. The WLAK disconnects from the packer as part of the setting procedure. After setting packer, retrieve setting assembly and disassemble.

D & L OIL TOOLS
P.O. BOX 52220 TULSA, OK 74152
PHONE: (800) 441-3504 www.dloiltools.com



WIRELINE ADAPTER KIT

FOR DUAL BORE RSB PACKER

4-1/2" X 2.688" X 2.062"

Manual No:
DL-269-4500-281

Revision: **A**

Revision Date:
03/30/2016

Authored by: *J.Anderson*

Approved by: *K.Riggs*

F) STORAGE RECOMMENDATIONS

When preparing the tool for storage, follow the Pre-Installation Inspection Procedures. Re-assemble the tool with connections hand-tight only and in running position if applicable.

Store the tool, if possible, in an enclosed, temperature and humidity controlled environment. Avoid excessively high temperatures over long periods of time. Keep tool dry and protected from condensation. Do not store in contact with or near volatile or corrosive chemicals. Do not store near ozone generating equipment or operations such as welding.

G) RECOMMENDED HAND TOOLS

- VISE
- GLOVES
- ALLEN WRENCHES
- TAPE MEASURE
- O-RING PICK
- BAR
 - 1/2-INCH
 - 3/4-INCH
- PAINT BRUSH, 2-INCH
- PIPE WRENCH, 3-FT (2 EA)
- "CHEATER" PIPE, 4-FT LONG
- ADJUSTABLE WRENCH, 12-INCH
- CORDLESS DRILL, 18V
- SNAP RING SPREADER PLIERS
- ALIGNING PUNCH
- SCREWDRIVER SET, FLAT-TIPPED
- SOCKET SETS
 - 3/8-INCH DRIVE
 - 1/2-INCH DRIVE
- HAMMERS
 - SLEDGE
 - BALL PEEN
 - DEAD BLOW

H) ASSEMBLY ONTO PRESSURE SETTING ASSEMBLY AND PACKER

NOTE₂: Clean and inspect all parts. Replace all worn and damaged parts. Install parts in proper order, and orientation and tighten/torque all connections properly.

- H-1) Install setting sleeve (1) onto pressure setting assembly.
- H-2) Screw outer adapter (3) onto pressure setting assembly.
- H-3) Screw set screws (4) into outer adapter (3).
- H-4) Screw inner adapter (2) onto pressure setting assembly.
- H-5) Install RSB Packer onto inner adapter (2). Align holes in seal bore of RSB Packer with holes in inner adapter (2).
- H-6) Install driv-lok pins (6) into seal bore of packer and inner adapter (2) until pins are flush with OD of seal bore of packer.
- H-7) Slide setting sleeve (1) down on pressure setting assembly and screw onto outer adapter (3) setting sleeve shoulders up against setting sleeve of RSB packer.
- H-8) Screw set screws (5) into setting sleeve (1).

I) DISASSEMBLY FROM PRESSURE SETTING ASSEMBLY

NOTE₃: Pressure setting assembly is not part of WLAK and is not shown.

- I-1) Unscrew and remove set screws (5) from setting sleeve (1).
- I-2) Unscrew and remove setting sleeve (1) from pressure setting assembly.
- I-3) Unscrew and remove inner adapter (2) from pressure setting assembly.
- I-4) Unscrew and remove set screws (4) from outer adapter (3).
- I-5) Unscrew and remove outer adapter (3) from pressure setting assembly.



WIRELINE ADAPTER KIT

FOR DUAL BORE RSB PACKER

4-1/2" X 2.688" X 2.062"

Manual No:
DL-269-4500-281

Revision: **A**

Revision Date:
03/30/2016

Authored by: *J.Anderson*

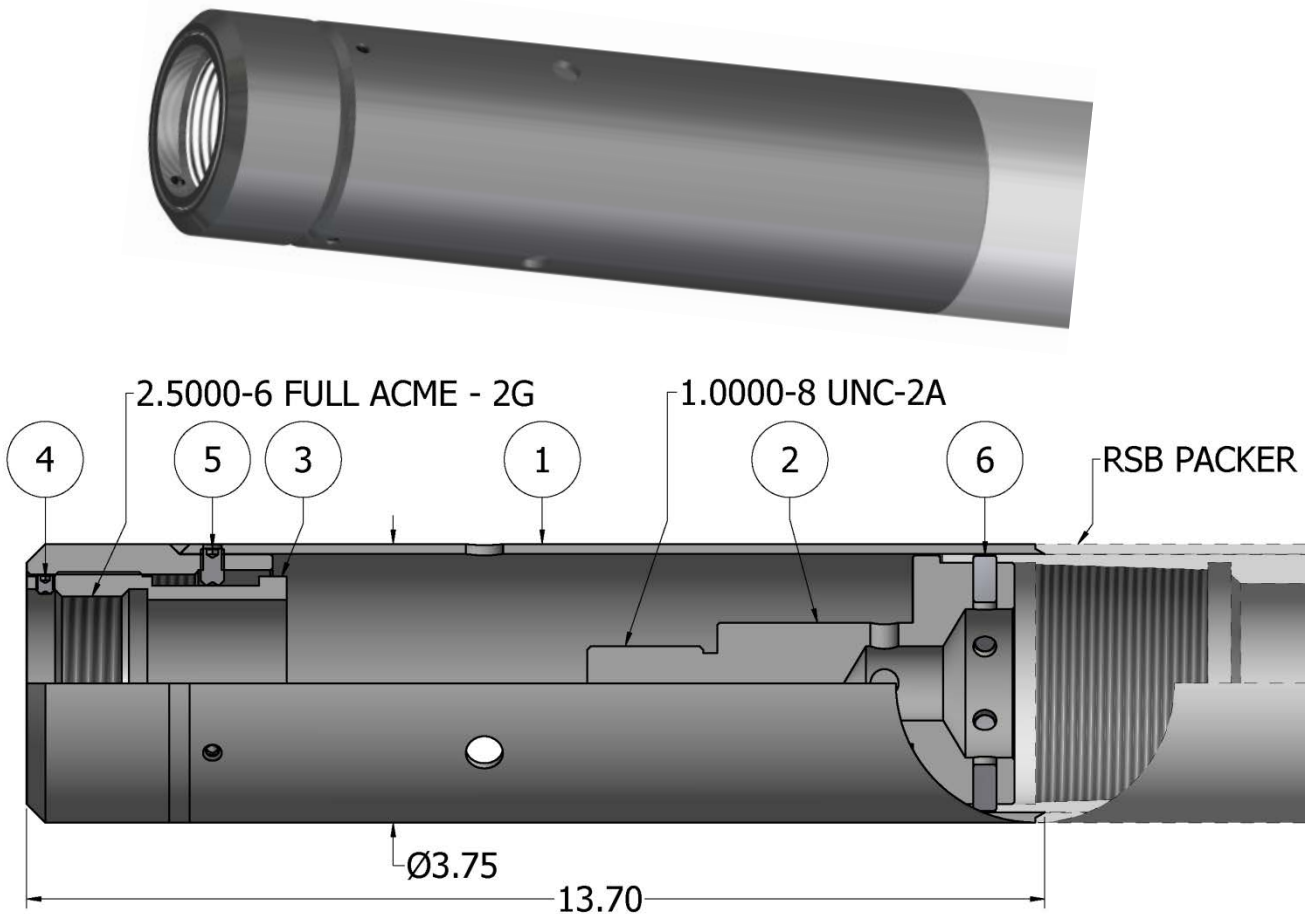
Approved by: *K.Riggs*

J) PARTS LIST

ITEM	QTY	DESCRIPTION	MATERIAL	PART NUMBER
1	1	SETTING SLEEVE	DLMS110	26945470
2	1	INNER ADAPTER	DLMS110	26945460
3	1	OUTER ADAPTER	DLMS110	97110102
4	2	SET SCREW 1/4-20 UNC X 1/4	STEEL	SSS025C025
5	3	SET SCREW 5/16-18 UNC X 1/2	STEEL	SSS031C050
6	6	DRIV-LOK PIN (4800#) 5/16 X 5/8	4140	DLP031062
ASSEMBLED WEIGHT				14 LBS

NOTE: Wireline pressure setting assembly sold separately by other manufacturer.

K) TECHNICAL ILLUSTRATION





WIRELINE ADAPTER KIT
FOR DUAL BORE RSB PACKER
4-1/2" X 2.688" X 2.062"

Manual No:
DL-269-4500-281

Revision: **A**

Revision Date:
03/30/2016

Authored by: J.Anderson

Approved by: K.Riggs

L) REVISION HISTORY

DATE	REVISION	DECIPTION OF CHANGES	REVISED BY	APPROVED BY
03/30/2016	A	Created new manual	-	-