



DUAL BORE RETRIEVABLE SEAL BORE PACKER w/o UPPER SEAL BORE

9-5/8" X 7.000" X 6.000"

Manual No:
DL-268-9625-1302

Revision: A

Revision Date:
12/05/2019

Authored by: J.Anderson

Approved by: D.Hushbeck

A) DESCRIPTION

The Retrievable Seal Bore (RSB) Dual Bore Packer delivers high performance with simplicity of design and desirable economics. This packer allows for a larger ID through the packer by sealing in an upper sealbore. This packer is rated for 7,000 psi and can be equipped to withstand severe corrosion and high temperatures.

NOTE: Setting and retrieving tools sold separately.

B) RELATED TOOLS (sold separately)

- B-1) #20 LC Hydraulic Setting Tool (P/N 39420)—refer to technical manual *DL-394-20-229*.
- B-2) 9-5/8" X 7.000" X 6.000" Setting Adapter Kit (P/N 26995-120)—refer to technical manual *DL-269-9625-1305*.
- B-3) 9-5/8" X 7.000" X 6.000" Retrieving Tool (P/N 26995RT)—refer to technical manual *DL-269-9625-1304*.
- B-4) 7.000" Seal Bore Accessories (P/N varies)—refer to technical manual *DL-581-7000-822*.
- B-5) 6.000" Seal Bore Accessories (P/N varies)—refer to technical manual *DL-581-6000-821*.

C) SPECIFICATION GUIDE

CASING			TOOL OD (INCHES)	SEAL BORE (INCHES)	MIN ID THRU SEALS (INCHES)	PART NUMBER
SIZE (INCHES)	WEIGHT (LBS/FT)	RECOMMENDED HOLE SIZE (INCHES)				
9-5/8	43.5 – 53.5	8.535 – 8.755	8.250	7.000 / 6.000	5.84 / 4.75	26895-1 26895H-1 ¹ 26895V-1 ²

Elastomer Trim Options: ¹HSN, ²Viton

DIFFERENTIAL PRESSURE (MAX)	TENSILE LOAD THRU TOOL (MAX)
7,000 PSI	175,000 LBS

D) PRE-INSTALLATION INSPECTION PROCEDURES

CAUTION: D&L ships tool connections made-up **HAND TIGHT**—labeled with hand-tight tape on the tool (Fig. 1)—unless stated otherwise. Tighten/torque all connections properly before operating tool.



Fig. 1

GENERAL THREAD CONNECTION TORQUE RECOMMENDATIONS			
STUB ACME / ACME THREADS	INTERNAL TAPERED TUBING THREADS		PREMIUM THREADS
	UP TO 2-3/8"	GREATER THAN 2-3/8"	
600 – 800 FT-LBS	600 – 800 FT-LBS	800 – 1,200 FT-LBS	Consult thread manufacturer's recommendations.

D & L OIL TOOLS
P.O. BOX 52220 TULSA, OK 74152
PHONE: (800) 441-3504 www.dloiltools.com



**DUAL BORE RETRIEVABLE SEAL
BORE PACKER w/o UPPER SEAL BORE
9-5/8" X 7.000" X 6.000"**

Manual No:
DL-268-9625-1302

Revision: **A**

Revision Date:
12/05/2019

Authored by: *J.Anderson*

Approved by: *D.Hushbeck*

D) PRE-INSTALLATION INSPECTION PROCEDURES (cont'd)

GENERAL SCREW TORQUE RECOMMENDATIONS									
SCREW SIZE (INCHES)	#6	#8	#10	1/4	5/16	3/8	7/16	1/2	5/8 and larger
TORQUE RANGE (INCH-POUNDS)	5 – 8	10 – 15	18 – 25	25 – 40	50 – 80	90 – 135	160 – 210	250 – 330	450 - 650

Before first use, D&L recommends disassembly and inspection of the tool unless stated otherwise. Ensure parts have not been damaged during shipping. Replace damaged parts with D&L replacement parts. Contact D&L sales for replacement part information.

Re-assemble the tool after inspection. Install parts in the correct order and orientation. Properly tighten connections.

Before re-using the tool, D&L recommends disassembly and inspection of the tool. Clean parts and ensure parts are in good working condition. Replace worn or damaged parts with D&L replacement parts.

When redressing the tool, D&L recommends replacement of all seals, elements, o-rings, shear screws, etc. Contact D&L sales for redress kit and/or other replacement part information.

E) SETTING PROCEDURES

CAUTION: Do not run the tool without properly tightening connections. Running the tool with loose connections may damage the tool and cause malfunction.

Run the RSB Packer in on a hydraulic pressure setting assembly with the RSB Setting Adapter Kit. To set the packer, follow the setting procedures provided in the technical manual for the hydraulic pressure setting assembly.

F) RELEASING PROCEDURES

Run the RSB Retrieving Tool into the well until the tool is sitting on the packer. Set down weight to shear the screws retaining the latch mandrel of the retrieving tool and to engage the threaded latch of the retrieving tool with the top sub of the packer (Refer to the retrieving tool technical manual for retrieving tool operating procedures). Continue setting down to engage releasing collet of the retrieving tool with the support ring of the packer. Once the retrieving tool is fully engaged with the packer, straight pick up a minimum of 9,600 lbs to shear the screws retaining the packer support ring. Continue picking up to release the slips and relax the packing element. The packer may now be removed from the well.

F-1) EMERGENCY RELEASE

If the packer fails to release, the retrieving tool can be released with straight pick up to shear the retrieving tool shear ring. Apply right-hand rotation to disconnect the retrieving tool from the packer (refer to the retrieving tool technical manual for retrieving tool operating procedures).

G) STORAGE RECOMMENDATIONS

When preparing the tool for storage, follow the Pre-Installation Inspection Procedures. Re-assemble the tool with connections hand-tight only and in running position if applicable. Elements should be in a relaxed state—free from tension, compression, and other stresses that could cause deformation.

Store the tool, if possible, in an enclosed, temperature and humidity controlled environment. Avoid excessively high temperatures over long periods of time. Shield elastomeric parts from ultraviolet light sources. Keep tool dry and protected from condensation. Do not store in contact with or near volatile or corrosive chemicals. Do not store near ozone generating equipment or operations such as welding.



DUAL BORE RETRIEVABLE SEAL BORE PACKER w/o UPPER SEAL BORE 9-5/8" X 7.000" X 6.000"

Manual No:
DL-268-9625-1302

Revision: **A**

Revision Date:
12/05/2019

Authored by: *J.Anderson*

Approved by: *D.Hushbeck*

H) ELASTOMER TRIM TEMPERATURE GUIDE

RUBBER TYPE	TEMPERATURE RANGE
NITRILE	40° - 250°F
HSN (HNBR)	70° - 300°F
VITON	100° - 350°F

I) RECOMMENDED HAND TOOLS

- VISE
- GLOVES
- ALLEN WRENCHES
- TAPE MEASURE
- O-RING PICK
- BAR
 - 1/2-INCH
 - 3/4-INCH
- PAINT BRUSH, 2-INCH
- PIPE WRENCH, 3-FT (2 EA)
- "CHEATER" PIPE, 4-FT LONG
- ADJUSTABLE WRENCH, 12-INCH
- CORDLESS DRILL, 18V
- SNAP RING SPREADER PLIERS
- ALIGNING PUNCH
- SCREWDRIVER SET, FLAT-TIPPED
- SOCKET SETS
 - 3/8-INCH DRIVE
 - 1/2-INCH DRIVE
- HAMMERS
 - SLEDGE
 - BALL PEEN
 - DEAD BLOW

J) DISASSEMBLY

J-1) Clamp lock ring housing (3) in vise.

J-1.1) From lower end of tool, unscrew and remove set screws (20) from bottom sub (18).

J-1.2) Unscrew and remove bottom sub (18) from torque sleeve (14).

J-1.2.1) Remove o-ring (24) from bottom sub (18).

J-1.3) Unscrew and remove cap screws (4) from collet (15).

J-1.4) Unscrew and remove set screws (20) from torque sleeve (14).

J-1.5) Unscrew and remove torque sleeve (14) from collet (15) and lower cone (13).

J-1.6) Unscrew and remove set screws (20) from collet (15).

J-1.7) Unscrew and remove collet (15) from mandrel (2).

J-1.7.1) Unscrew and remove shear screws (17) from collet (15).

J-1.7.2) Separate collet (15) from support ring (9)

J-1.7.3) Remove o-ring and back-up rings (1, 25) and o-ring (23) from collet (15).

J-1.8) Wedge slips outwards (if needed). Unscrew and remove shear screws (21) from slip body (11).

J-1.9) Unscrew and remove low head cap screws (16) from lower cone (13).

J-1.10) Remove lower cone (13) from slip body (11).

J-1.11) Remove pick-up ring (8) from mandrel (2).

J-1.12) Unscrew upper cone (10) from gage ring (6).

J-1.13) Remove slip body assembly and disassemble:

J-1.13.1) Remove wedges (if needed). Remove slips (12) and slip springs (19) from slip body (11).

J-1.13.2) Unscrew and remove low head cap screws (16) from upper cone (10).

J-1.13.3) Remove upper cone (10) from slip body (11).

J-1.14) Moving to upper end of tool, remove o-rings (23) from mandrel (2).

J-2) Unclamp and remove lock ring housing (3) from vise. Clamp upper end of mandrel (2) in vise.

J-2.1) Remove gage ring (6) and element (7) from mandrel (2).



DUAL BORE RETRIEVABLE SEAL BORE PACKER w/o UPPER SEAL BORE 9-5/8" X 7.000" X 6.000"

Manual No:
DL-268-9625-1302

Revision: A

Revision Date:
12/05/2019

Authored by: J.Anderson

Approved by: D.Hushbeck

J) DISASSEMBLY (cont'd)

J-2.2) Unscrew and remove shear screws (22) from lock ring housing (3).

J-2.3) Unscrew lock ring housing (3) from lock ring (5) and remove from mandrel (2).

J-2.4) Unscrew and remove lock ring (5) from mandrel (2) (**NOTE**₃: Left-hand threads).

NOTE₄: Using snap ring spreader pliers, lock ring (5) may be spread slightly to be removed.

J-3) Unclamp and remove mandrel (2) from vise.

K) ASSEMBLY

NOTE₂: Clean and inspect all parts. Replace all worn and damaged parts. Install parts in proper order, and orientation and tighten/torque all connections properly.

CAUTION₃: To ensure tool operates properly, install o-rings in o-ring grooves **NOT** thread reliefs (Fig. 2).

K-1) Clamp upper end of mandrel (2) in vise.

K-1.1) Slide lock ring (5) onto upper end of mandrel (2).

NOTE₅: Threads on lock ring (5) are directional—it **MUST** be installed in correct direction for tool to work properly.

K-1.2) Install lock ring housing (3) onto mandrel (2). Carefully screw lock ring housing (3) onto lock ring (5) until lock ring housing (3) shoulders against mandrel (2). Align threaded hole in lock ring housing (3) with slot in lock ring (5).

K-1.3) Screw shear screw (22) into lock ring housing (3). Tighten until shear screw (22) contacts mandrel (2). Back shear screw (22) out 1/4 turn.

K-1.4) Install element (7) and gage ring (6) onto mandrel (2).

K-2) Unclamp and remove mandrel (2) from vise. Clamp lock ring housing (3) in vise.

K-2.1) Install o-rings (25) in o-ring grooves in mandrel (2).

K-2.2) Assemble slip body assembly and install:

K-2.2.1) Install upper cone (10) into lower end of slip body (11). Align threaded holes in upper cone (10) with slots in slip body (11).

K-2.2.2) Screw low head cap screws (16) into upper cone (10).

K-2.2.3) Install slip springs (19) and slips (12) into slip body (11). Wedge slips outwards.

K-2.2.4) Install slip body assembly onto inner mandrel (2). Screw upper cone (10) into gage ring (6). Remove wedges.

K-2.3) Install pick-up ring (8) into ring groove in mandrel (2).

K-2.4) Install lower cone (13) into slip body (11). Align threaded holes in lower cone (13) with slots in slip body (11).

K-2.5) Screw low head cap screws (16) into lower cone (13).

K-2.6) Align threaded holes in slip body (11) with pocket holes in upper and lower cones (10, 13). Screw shear screws (21) into slip body (11). Tighten until shear screws (21) contact cones. Back shear screws (21) out 1/4 turn.

K-2.7) Install o-ring (23) and o-ring (25) and back-up rings (1) in o-ring grooves in collet (15).

K-2.8) Install support ring (9) into collet (15). Align threaded holes in collet (15) with pocket holes in support ring (9).

K-2.9) Screw shear screws (17) into collet (15). Tighten until shear screws (17) contact support ring (9). Back shear screws (17) out 1/4 turn.

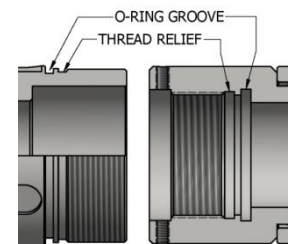


Fig. 2



**DUAL BORE RETRIEVABLE SEAL
BORE PACKER w/o UPPER SEAL BORE
9-5/8" X 7.000" X 6.000"**

Manual No:
DL-268-9625-1302

Revision: A

Revision Date:
12/05/2019

Authored by: J.Anderson

Approved by: D.Hushbeck

K) ASSEMBLY (cont'd)

K-2.10) Screw collet (15) onto mandrel (2).

CAUTION4: Do not rip or tear o-ring during installation.

K-2.11) Screw set screws (20) into collet (15).

K-2.12) Install torque sleeve (14) onto collet (15) and screw onto lower cone (13) and collet (15).

CAUTION4: Do NOT rip or tear o-rings or back-up rings while installing.

K-2.13) Align slots in torque sleeve (14) with threaded holes in collet (15). Screw cap screws (4) into collet (15).

K-2.14) Screw set screws (20) into upper end of torque sleeve (14).

K-2.15) Install o-ring (24) in o-ring groove in bottom sub (18).

K-2.16) Screw bottom sub (18) into torque sleeve (14).

CAUTION4: Do not rip or tear o-ring during installation.

K-2.17) Screw set screws (20) into torque sleeve (14).

K-3) Unclamp lock ring housing (3) from vise and remove assembled tool.

L) PARTS LIST

ITEM	QTY	DESCRIPTION	MATERIAL	P/N 26895-1
1	2	PARBACK BACKUP RING	-	04500365
2	1	MANDREL	DLMS110	26895210
3	1	LOCK RING HOUSING	DLMS80	26895855
4	2	SOCKET CAP SCREW 3/8-16 UNC X 3/8	STEEL	SCS037C037
5	1	LOCK RING	DLMS80	67295011
6	1	CONE CAP	DLMS80	26595860
7	1	ELEMENT	80 DURO NITRILE	67295512
8	1	PICKUP RING	DLMS80	26594662
9	1	SUPPORT RING	DLMS35	26594530
10	1	UPPER CONE	DLMS80	26594411
11	1	SLIP BODY	DLMS80	26595321
12	4	SLIP	DLMS60	26595110
13	1	LOWER CONE	DLMS80	26594421
14	1	TORQUE SLEEVE	DLMS110	26594612SLB
15	1	RELEASING COLLET	DLMS80	26594661
16	4	LOW HEAD SOCKET CAP SCREW 3/8-16 UNC X 3/8	STEEL	LHSC037C037
17	12	SLOTTED SHEAR SCREW (1200#) 1/4-20 UNC X 1/4	DLM360BRS	BSSSLT025C025
18	1	BOTTOM SUB	DLMS80	26595621



**DUAL BORE RETRIEVABLE SEAL
BORE PACKER w/o UPPER SEAL BORE
9-5/8" X 7.000" X 6.000"**

Manual No:
DL-268-9625-1302

Revision: A

Revision Date:
12/05/2019

Authored by: J.Anderson

Approved by: D.Hushbeck

L) PARTS LIST (cont'd)

ITEM	QTY	DESCRIPTION	MATERIAL	P/N 26895-1
19	4	TAPERED SLIP SPRING	DLMINC625	DL94830
20	9	SOCKET SET SCREW 3/8-16 UNC X 3/8	STEEL	SSS037C037
21	12	SLOTTED SHEAR SCREW (3000#) 3/8-16 UNC X 3/8	DLM360BRS	BSSSLT037C037
22	1	SLOTTED SHEAR SCREW (750#) #10-32 UNF X 3/8	DLM360BRS	BSSSLT1032F037
23	4	261 O-RING	90 DURO NITRILE	90261
24	1	262 O-RING	90 DURO NITRILE	90262
25	1	365 O-RING	90 DURO NITRILE	90365
26	8	SLOTTED SHEAR SCREW (1200#) 1/4-20 UNC X 1/2	DLM360BRS	BSSSLT025C050 [†]
27	8	DRIV-LOK PIN (4800#) 5/16 X 1"	4140	DLP031100 [†]

[†]Refer to Setting Adapter Kit technical manual for placement.

REDRESS KIT (RDK)	26895050
ASSEMBLED WEIGHT	290 LBS

L-1) ELASTOMER TRIM OPTIONS

NOTE₆: For temperature range, refer to Elastomer Trim Temperature Guide.

L-1.1) HSN

ITEM	QTY	DESCRIPTION	MATERIAL	P/N 26895H-1
7	1	ELEMENT	80 DURO HSN	67295512H
23	4	261 O-RING	90 DURO HSN	90261H
24	1	262 O-RING	90 DURO HSN	90262H
25	1	365 O-RING	90 DURO HSN	90365H

REDRESS KIT (RDK)	26895050H
-------------------	-----------

L-1.2) VITON

ITEM	QTY	DESCRIPTION	MATERIAL	P/N 26895V-1
7	1	ELEMENT	80 DURO VITON	67295512V
23	4	261 O-RING	90 DURO VITON	90261V
24	1	262 O-RING	90 DURO VITON	90262V
25	1	365 O-RING	90 DURO VITON	90365V

REDRESS KIT (RDK)	26895050V
-------------------	-----------



DUAL BORE RETRIEVABLE SEAL BORE PACKER w/o UPPER SEAL BORE

9-5/8" X 7.000" X 6.000"

Manual No:
DL-268-9625-1302

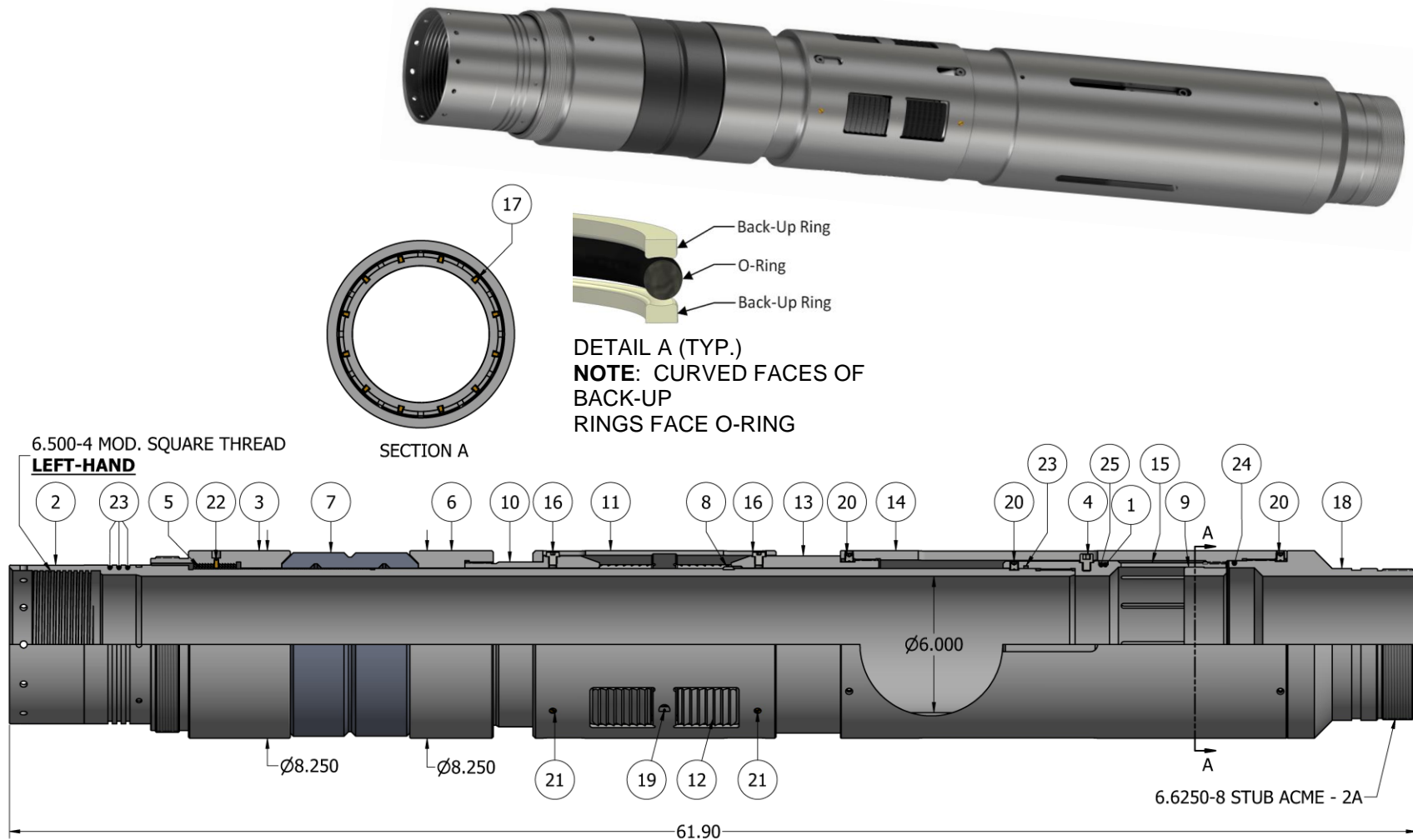
Revision: A


Revision Date:
12/05/2019

Authored by: J.Anderson

Approved by: D.Hushbeck

M) TECHNICAL ILLUSTRATION



	DUAL BORE RETRIEVABLE SEAL BORE PACKER w/o UPPER SEAL BORE 9-5/8" X 7.000" X 6.000"	Manual No: DL-268-9625-1302
		Revision: A
		Revision Date: 12/05/2019
<i>Authored by: J.Anderson</i>		<i>Approved by: D.Hushbeck</i>

N) REVISION HISTORY

DATE	REVISION	DESCRIPTION OF CHANGES	REVISED BY	APPROVED BY
12/05/2019	A	Created new manual	-	-