



GV CUP PACKER

5-1/2" X 3-1/2"

Manual No:
DL-439-5500-581

Revision: **B**

Revision Date:
01/04/2021

Authored by: J.Anderson

Approved by: D.Hushbeck

A) DESCRIPTION

The Type GV Cup Packer is an economical means of isolating casing leaks and depleted zones and is also a production or injection packer for low pressure applications. Depending on application, this packer can be run with cups opposed or in the same direction. This packer is also available with packing element back-up rings for higher pressure applications and comes in a full range of tubing and casing sizes in two-cup or four-cup models.

B) SPECIFICATION GUIDE

CASING			TOOL		THREAD CONNECTION BOX UP / PIN DOWN	PART NUMBER
SIZE (INCHES)	WEIGHT (LBS/FT)	RECOMMENDED HOLE SIZE (INCHES)	GAGE OD (INCHES)	ID (INCHES)		
5-1/2	14.0 – 20.0	4.778 – 5.012	4.625	3.00	3-1/2 EUE	43953 43953H ¹ 43953V ²

Elastomer Trim Options: ¹HSN, ²Viton

DIFFERENTIAL PRESSURE (MAX)	TENSILE LOAD THRU TOOL (MAX)	RECOMMENDED RUNNING DEPTH (MAX)	RECOMMENDED RUNNING SPEED (MAX)
5,000 PSI	80,000 LBS	7,000 FT	60 FT/MIN

C) PRE-INSTALLATION INSPECTION PROCEDURES

CAUTION: D&L ships tool connections made-up **HAND TIGHT**—labeled with hand-tight tape on the tool (Fig. 1)—unless stated otherwise. Tighten/torque all connections properly before operating tool.



Fig. 1

GENERAL THREAD CONNECTION TORQUE RECOMMENDATIONS (General thread torque recommendations not applicable to mated parts specified in SPEC014)			
STUB ACME / ACME THREADS	INTERNAL TAPERED TUBING THREADS		PREMIUM THREADS
	UP TO 2-3/8"	GREATER THAN 2-3/8"	
600 – 800 FT-LBS	600 – 800 FT-LBS	800 – 1,200 FT-LBS	Consult thread manufacturer's recommendations.

Before first use, D&L recommends disassembly and inspection of the tool unless stated otherwise. Ensure parts have not been damaged during shipping. Replace damaged parts with D&L replacement parts. Contact D&L sales for replacement part information.

Re-assemble the tool after inspection. Install parts in the correct order and orientation. Properly tighten connections.

Before re-using the tool, D&L recommends disassembly and inspection of the tool. Clean parts and ensure parts are in good working condition. Replace worn or damaged parts with D&L replacement parts.

When redressing the tool, D&L recommends replacement of all seals, elements, o-rings, shear screws, etc. Contact D&L sales for redress kit and/or other replacement part information.

D & L OIL TOOLS
P.O. BOX 52220 TULSA, OK 74152
PHONE: (800) 441-3504 www.dlmfg.com



GV CUP PACKER

5-1/2" X 3-1/2"

Manual No:
DL-439-5500-581

Revision: **B**

Revision Date:
01/04/2021

Authored by: J.Anderson

Approved by: D.Hushbeck

D) SETTING PROCEDURES

Trip packer to desired depth.

E) RELEASING PROCEDURES

Pull tubing string to remove packer from well bore.

F) STORAGE RECOMMENDATIONS

When preparing the tool for storage, follow the Pre-Installation Inspection Procedures. Re-assemble the tool with connections hand-tight only and in running position if applicable. Packing elements should be in a relaxed state—free from tension, compression, and other stresses that could cause deformation.

Store the tool, if possible, in an enclosed, temperature and humidity controlled environment. Avoid excessively high temperatures over long periods of time. Shield elastomeric parts from ultraviolet light sources. Keep tool dry and protected from condensation. Do not store in contact with or near volatile or corrosive chemicals. Do not store near ozone generating equipment or operations such as welding.

G) ELASTOMER TRIM TEMPERATURE GUIDE

RUBBER TYPE	TEMPERATURE RANGE
NITRILE	40° - 250°F
HSN (HNBR)	70° - 300°F
VITON	100° - 350°F

H) RECOMMENDED HAND TOOLS

- VISE
- GLOVES
- ALLEN WRENCHES
- TAPE MEASURE
- O-RING PICK
- BAR
 - 1/2-INCH
 - 3/4-INCH
- PAINT BRUSH, 2-INCH
- PIPE WRENCH, 3-FT (2 EA)
- “CHEATER” PIPE, 4-FT LONG
- ADJUSTABLE WRENCH, 12-INCH
- CORDLESS DRILL, 18V
- SNAP RING SPREADER PLIERS
- ALIGNING PUNCH
- SCREWDRIVER SET, FLAT-TIPPED
- SOCKET SETS
 - 3/8-INCH DRIVE
 - 1/2-INCH DRIVE
- HAMMERS
 - SLEDGE
 - BALL PEEN
 - DEAD BLOW

I) DISASSEMBLY

- I-1) Clamp coupling (2) in vise. Unscrew and remove mandrel (1) from coupling (2).
- I-2) Unclamp coupling (2) and remove from vise.
- I-3) Disassemble mandrel assembly:
 - I-3.1) Remove cup retainer (5) and cup (4) from mandrel (1).
 - I-3.1.1) Remove o-ring (6) from cup (4).
 - I-3.2) Remove cup spacer (3) from mandrel (1).
 - I-3.3) Remove cup retainer (5) and cup (4) from mandrel (1).
 - I-3.3.1) Remove o-ring (6) from cup (4).
 - I-3.4) Remove cup spacer (3) from mandrel (1).



GV CUP PACKER

5-1/2" X 3-1/2"

Manual No:
DL-439-5500-581

Revision: **B**

Revision Date:
01/04/2021

Authored by: J.Anderson

Approved by: D.Hushbeck

J) ASSEMBLY

NOTE1: Clean and inspect all parts. Replace all worn and damaged parts. Install parts in proper order and orientation.

J-1) Install cup spacer (3) onto mandrel (1).

J-2) Install o-ring (6) in groove in cup (4).

J-3) Install cup (4) and cup retainer (5) onto mandrel (1).

CAUTION: Do not rip or tear o-ring during installation.

J-4) Install cup spacer (3) onto mandrel (1).

J-5) Install o-ring (6) in groove in cup (4).

J-6) Install cup (4) and cup retainer (5) onto mandrel (1).

CAUTION: Do not rip or tear o-ring during installation.

J-7) Clamp coupling (2) in vise. Screw mandrel (1) into coupling (2).

J-8) Unclamp coupling (2) and remove assembled tool from vise.

K) PARTS LIST

ITEM	QTY	DESCRIPTION	MATERIAL	P/N 43953
1	1	MANDREL	DLMS60	43959210
2	1	COUPLING	DLMS60	CP3500E3500N
3	2	SPACER	DLMS60	42155820
4	2	CUP	80 DURO NITRILE	42055512
5	2	CUP RETAINER	DLMS35	43959831
6	2	341 O-RING	90 DURO NITRILE	90341

REDRESS KIT (RDK)	43953050
ASSEMBLED WEIGHT	33 LBS

K-1) ELASTOMER TRIM OPTIONS

NOTE2: For temperature range, refer to Elastomer Trim Temperature Guide.

K-1.1) HSN

ITEM	QTY	DESCRIPTION	MATERIAL	P/N 43953H
4	2	CUP	80 DURO HSN	42055512H
6	2	341 O-RING	90 DURO HSN	90341H

REDRESS KIT (RDK)	43953050H
-------------------	-----------

K-1.2) VITON

ITEM	QTY	DESCRIPTION	MATERIAL	P/N 43953V
4	2	CUP	80 DURO VITON	42055512V
6	2	341 O-RING	90 DURO VITON	90341V

REDRESS KIT (RDK)	43953050V
-------------------	-----------



GV CUP PACKER

5-1/2" X 3-1/2"

Manual No:
DL-439-5500-581

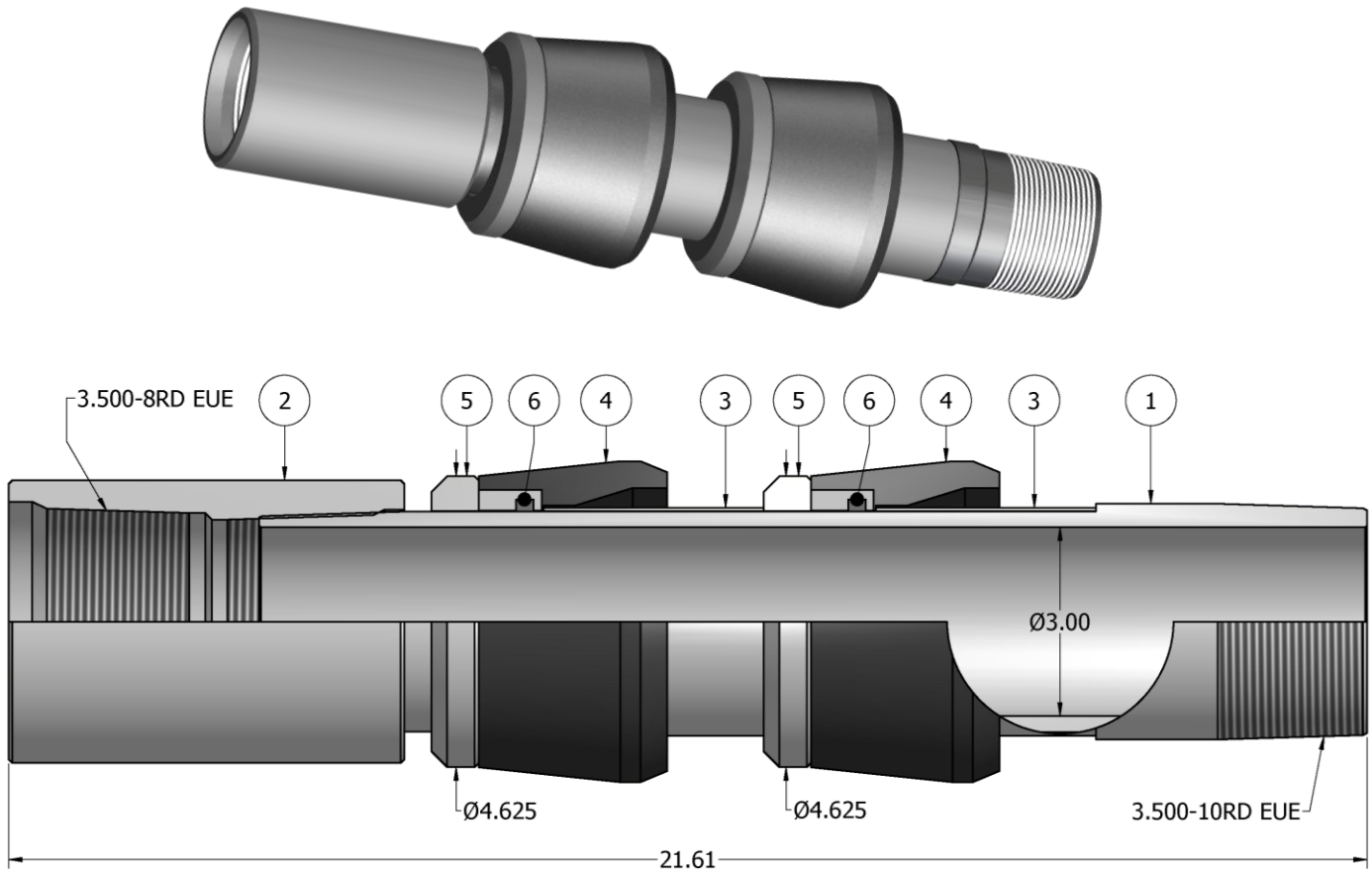
Revision: **B**

Revision Date:
01/04/2021

Authored by: J.Anderson

Approved by: D.Hushbeck

L) TECHNICAL ILLUSTRATION



M) REVISION HISTORY

DATE	REVISION	DESCRIPTION OF CHANGES	REVISED BY	APPROVED BY
01/04/2021	B	Added Pre-Installation Inspection Procedures, Storage Recommendations; Revised weight range, elastomer trim temp. ratings	J.Anderson	E.Visaez
07/15/13	A	Created new manual.	-	D.Hushbeck