



DL-CS ANCHOR 7"

Manual No:
DL-322-7000-141

Revision: **D**

Revision Date:
11/26/2018

Authored by: *B.Mathis*

Approved by: *H.Bringham*

A) DESCRIPTION

The DL-CS Anchor is used to anchor downhole equipment from rotating and/or moving up the hole. The anchor is designed to resist up to 12,000 Ft-lbs of torque with a unique cone and slip design while preventing movement up or down hole. It can be set in casing or open hole.

B) SPECIFICATION GUIDE

CASING			TOOL OD (INCHES)	THREAD CONNECTION BOX UP / PIN DOWN	PART NUMBER
SIZE (INCHES)	WEIGHT (LBS/FT)	RECOMMENDED HOLE SIZE (INCHES)			
7	17.0 – 23.0	6.366 – 6.538	6.125	3-1/2 IF TOOL JOINT	32272
	26.0 – 35.0	6.004 – 6.276	5.875	3-1/2 IF TOOL JOINT	32270

TORQUE THRU TOOL (MAX)
12,000 FT-LBS

C) PRE-INSTALLATION INSPECTION PROCEDURES

CAUTION: D&L ships tool connections made-up **HAND TIGHT**—labeled with hand-tight tape on the tool (Fig. 1)—unless stated otherwise. Tighten/torque all connections properly before operating tool.



Fig. 1

GENERAL THREAD CONNECTION TORQUE RECOMMENDATIONS			
STUB ACME / ACME THREADS	INTERNAL TAPERED TUBING THREADS		PREMIUM THREADS
	UP TO 2-3/8"	GREATER THAN 2-3/8"	
600 – 800 FT-LBS	600 – 800 FT-LBS	800 – 1,200 FT-LBS	Consult thread manufacturer's recommendations.

GENERAL SCREW TORQUE RECOMMENDATIONS									
SCREW SIZE (INCHES)	#6	#8	#10	1/4	5/16	3/8	7/16	1/2	5/8 and larger
TORQUE RANGE (INCH-POUNDS)	5 – 8	10 – 15	18 – 25	25 – 40	50 – 80	90 – 135	160 – 210	250 – 330	450 – 650

Before first use, D&L recommends disassembly and inspection of the tool unless stated otherwise. Ensure parts have not been damaged during shipping. Replace damaged parts with D&L replacement parts. Contact D&L sales for replacement part information.

Re-assemble the tool after inspection. Install parts in the correct order and orientation. Properly tighten connections.

Before re-using the tool, D&L recommends disassembly and inspection of the tool. Clean parts and ensure parts are in good working condition. Replace worn or damaged parts with D&L replacement parts.

D & L OIL TOOLS
P.O. BOX 52220 TULSA, OK 74152
PHONE: (800) 441-3504 www.dloiltools.com



DL-CS ANCHOR 7"

Manual No:
DL-322-7000-141

Revision: **D**

Revision Date:
11/26/2018

Authored by: *B.Mathis*

Approved by: *H.Bringham*

C) PRE-INSTALLATION INSPECTION PROCEDURES (cont'd)

When redressing the tool, D&L recommends replacement of all seals, elements, o-rings, shear screws, etc. Contact D&L sales for redress kit and/or other replacement part information.

D) SETTING PROCEDURES

CAUTION₂: Do not run the tool without properly tightening connections. Running the tool with loose connections may damage the tool and cause malfunction.

The DL-CS Anchor requires a bottom restriction to set compressive force against in the form of a permanent or retrievable bridge plug, bottom of the drilled hole, top of cement, etc.

To set the anchor, run the tool to the restriction and set weight down to initiate the setting procedure. Apply enough weight (approximately 40,000 lbs) at the anchor to shear the upper row of shear screws (5,000 lbs/screw) and the shear screws in the slip body (1,200 lbs/screw). The DL-CS Anchor is now set and locked in place with the internal ratcheting mechanism. The shear values can be reduced by removing shear screws, but caution must be taken not to shear prematurely.

E) RELEASING PROCEDURES

Apply straight, upward pull with enough tension to shear the releasing shear screws (5,000 lbs/screw). The cones will move away allowing the slips to retract back into the anchor. The tool is now free to be retrieved. The shear values can be reduced by removing shear screws, but caution must be taken not to shear prematurely.

F) STORAGE RECOMMENDATIONS

When preparing the tool for storage, follow the Pre-Installation Inspection Procedures. Re-assemble the tool with connections hand-tight only and in running position if applicable.

Store the tool, if possible, in an enclosed, temperature and humidity controlled environment. Avoid excessively high temperatures over long periods of time. Keep tool dry and protected from condensation. Do not store in contact with or near volatile or corrosive chemicals. Do not store near ozone generating equipment or operations such as welding.

G) RECOMMENDED HAND TOOLS

- VISE
- GLOVES
- ALLEN WRENCHES
- TAPE MEASURE
- O-RING PICK
- BAR
 - 1/2 INCH
 - 3/4 INCH
- PAINT BRUSH, 2 INCH
- PIPE WRENCH, 3 FT (2 EA)
- "CHEATER" PIPE, 4 FT LONG
- ADJUSTABLE WRENCH, 12 INCH
- STRAP WRENCH
- CORDLESS DRILL, 18V
- SNAP RING SPREADER PLIERS
- ALIGNING PUNCH
- SCREWDRIVER SET, FLAT-TIPPED
- SOCKET SETS
 - 3/8 INCH DRIVE
 - 1/2 INCH DRIVE
- HAMMERS
 - SLEDGE
 - BALL PEEN
 - DEAD BLOW



DL-CS ANCHOR 7”

Manual No:
DL-322-7000-141

Revision: **D**

Revision Date:
11/26/2018

Authored by: *B.Mathis*

Approved by: *H.Bringham*

H) DISASSEMBLY

H-1) Clamp upper connector (3) in vise.

H-1.1) From lower end of tool, unscrew and remove set screws (14) from bottom sub (6).

H-1.2) Unscrew and remove bottom sub (6) from mandrel (1).

H-1.3) Unscrew and remove shear screws (15) from shear cap (7).

H-1.4) Remove shear cap (7) from mandrel (1).

H-1.5) Remove disk springs (9) from mandrel (1).

H-1.6) Unscrew lower cone cap (8) from lower cone (5) and remove from mandrel (1).

H-1.7) Unscrew and remove cap screws (13) from upper cone (20).

H-1.8) Wedge slips outwards. Remove slip body assembly and disassemble:

H-1.8.1) Unscrew and remove shear screws (22) from slip body (4).

H-1.8.2) Remove wedges. Remove slips (11, 12) from slip body (4).

H-1.8.2.1) Unscrew and remove button head cap screws (19) from slips (11, 12) and remove slip springs (18).

H-1.8.3) Remove lower cone (5) from slip body (4).

H-1.9) From upper end of tool, unscrew and remove set screws (21) from top sub (2).

H-1.10) Unscrew and remove top sub (2) from upper connector (3).

H-1.11) Unscrew and remove set screws (17) from upper connector (3).

H-1.12) Remove pin (10) from upper connector (3).

H-1.13) Unscrew and remove set screws (14) from upper connector (3).

H-1.14) Remove mandrel assembly from upper connector (3) and disassemble:

H-1.14.1) Unscrew and remove shear screws (15) from upper cone (20).

H-1.14.2) Unscrew and/or remove mandrel (1) from lock ring (16) (**NOTE₁**: Left-hand threads).

H-1.14.3) Unscrew and remove lock ring (16) from upper cone (20).

H-2) Unclamp and remove upper connector (3) from vise.

I) ASSEMBLY

NOTE₂: Clean and inspect all parts. Replace all worn and damaged parts. Install parts in proper order, and orientation and tighten/torque all connections properly.

I-1) Clamp upper connector (3) in vise.

I-1.1) Assemble mandrel assembly and install:

I-1.1.1) From upper end of mandrel (1), install lock ring (16) onto shoulder of mandrel (1) above ratchet threads.

NOTE₃: Threads on lock ring (16) are directional—it **MUST** be installed in correct direction for tool to work properly.

CAUTION₃: Do not engage lock ring (16) onto ratchet threads.

I-1.1.2) From lower end of mandrel (1), install upper cone (20) onto mandrel (1). Carefully thread upper cone (20) onto lock ring (16).

CAUTION₃: Do not engage lock ring (16) onto ratchet threads.

I-1.1.3) Align threaded holes in upper cone (20) with shear screw groove in mandrel (1).

I-1.1.4) Screw shear screws (15) into upper cone (20). Tighten until shear screws (15) contact mandrel (1). Back shear screws (15) out 1/4 turn.



DL-CS ANCHOR 7”

Manual No:
DL-322-7000-141

Revision: **D**

Revision Date:
11/26/2018

Authored by: *B.Mathis*

Approved by: *H.Bringham*

I) ASSEMBLY (cont'd)

- I-1.1.5) Install mandrel assembly into upper connector (3) and screw upper cone (20) into upper connector (3).
- I-1.1.6) Screw set screws (14) into upper connector (3).
- I-1.2) Install one (1 qty) set screw (14) into upper connector (3).
- I-1.3) Rotate mandrel (1) as necessary to align pin slot in mandrel (1) with pin holes in upper connector (3). Install pin (10) into upper connector and through mandrel (1). Ensure pin (10) is evenly flush with OD of upper connector (3).
- I-1.4) Screw remaining set screw (14) into upper connector (3).
- I-1.5) Screw top sub (2) onto upper connector (3).
- I-1.6) Screw set screws (21) into top sub (2).
- I-1.7) Assemble slip body assembly and install:
 - I-1.7.1) Install lower cone (5) into slip body (4). Align shear screw groove in lower cone (5) with threaded holes in slip body (4).
 - I-1.7.2) Screw shear screws (22) into slip body (4). Tighten until shear screws (22) contact lower cone (5). Back shear screws (22) out 1/4 turn.
 - I-1.7.3) Install springs (18) in slips (11, 12). Secure springs (18) in place with button head cap screws (19).
NOTE₄: Install three (3 ea) springs per slip.
 - I-1.7.4) Install slips (11, 12) into slip body (4) and wedge slips in place. Install anti-rotation slips (12) 180° apart.
 - I-1.7.5) Install slip body assembly onto mandrel (1) and onto upper cone (20). Remove wedges from slips (11, 12).
- I-1.8) Align cap screw slot in slip body (4) with threaded holes in upper cone (20). Screw cap screws (13) into upper cone (20).
- I-1.9) Install lower cone cap (8) onto mandrel (1) and screw onto lower cone (5).
- I-1.10) Install disk springs (12) onto mandrel (1) against lower cone cap (8).
- I-1.11) Install shear cap (7) onto mandrel (1). Align threaded holes in shear cap (7) with shear screw groove in mandrel (1).
- I-1.12) Screw shear screws (15) into shear cap (7). Tighten until shear screws (15) contact mandrel (1). Back shear screws (15) out 1/4 turn.
- I-1.13) Screw bottom sub (6) onto mandrel (1).
- I-1.14) Screw set screws (14) into bottom sub (6).
- I-2) Unclamp upper connector (3) from vise and remove assembled tool.



DL-CS ANCHOR 7"

Manual No:
DL-322-7000-141

Revision: **D**

Revision Date:
11/26/2018

Authored by: *B.Mathis*

Approved by: *H.Bringham*

J) PARTS LIST

ITEM	QTY	DESCRIPTION	MATERIAL	26.0 – 35.0# P/N 32270	17.0 – 23.0# P/N 32272
1	1	MANDREL	P-110	32270210	
2	1	TOP SUB	P-110	32270610	
3	1	UPPER CONNECTOR	P-110	32270310	
4	1	SLIP BODY	P-110	32270320	32272320
5	1	LOWER CONE	P-110	32270420	
6	1	BOTTOM SUB	P-110	32270630	
7	1	SHEAR CAP	P-110	32270710	
8	1	LOWER CONE CAP	P-110	32270715	32272715
9	3	DISK SPRING	P-110	32270920	
10	1	PIN	P-110	32270990	
11	2	SLIP	1018	32270110	32272110
12	2	SLIP - NO TURN0	1018	32270110NT	32272110NT
13	4	CAP SCREW 3/8-16 UNC X 3/4	STEEL	SCS037C075	
14	7	SET SCREW 3/8-16 UNC X 5/8	STEEL	SSS037C062	
15	18	SHEAR SCREW (5000#) 5/8-18 UNF X .45	DLMS360BRS	32045910	
16	1	LOCK RING	L-80	32270011	
17	2	SOCKET SET SCREW 1-8 UNC X 3/4	STEEL	SSS100C075	
18	-	SLIP SPRING	-	32070950 (16 EA)	DL94830 (4 EA)
19	4	BUTTON HEAD SCREW #8-32 X 3/8	STEEL	BHCS08C037	-
20	1	UPPER CONE	P-110	32270410	
21	3	SET SCREW 3/8-16 UNC X 1/2	STEEL	SSS037C050	
22	6	SHEAR SCREW (1200#) 1/4-20 UNC X 1/2	DLMS360BRS	BSSSLT025C050	

ASSEMBLED WEIGHT	266 LBS	270 LBS
------------------	---------	---------



DL-CS ANCHOR 7"

Manual No:
DL-322-7000-141

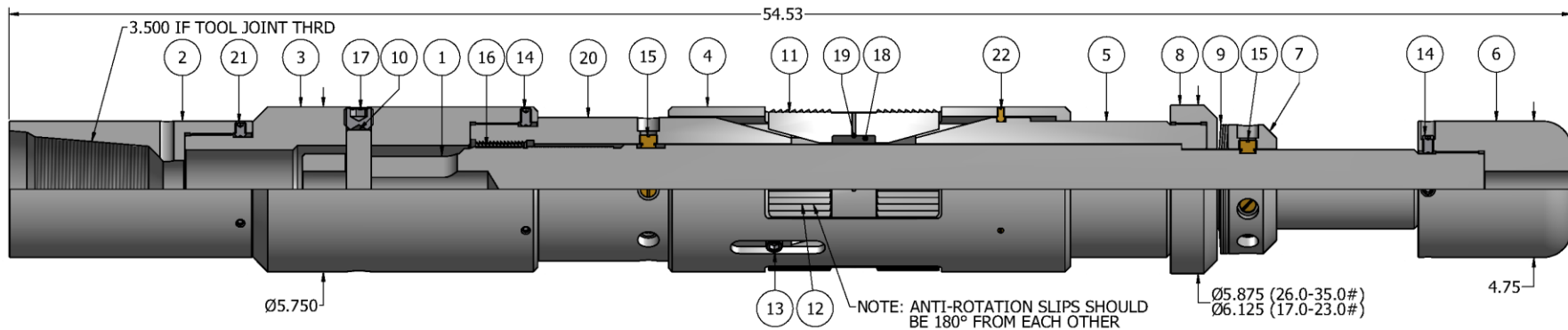
Revision: **D**

Revision Date:
11/26/2018

Authored by: *B.Mathis*

Approved by: *H.Bringham*

K) TECHNICAL ILLUSTRATION



L) REVISION HISTORY

DATE	REVISION	DESCRIPTION OF CHANGES	REVISED BY	APPROVED BY
11/26/2018	D	Revised entire manual	J.Anderson	D.Hushbeck

This document is uncontrolled when printed. For the current revision, refer to the electronic copy in the Vault database.