



# CERAMIC DISC SUB, BOX X PIN, 1K/10K

Manual No:  
**DL-592-0000-1392**

Revision: **B**

Revision Date:  
**05/02/2023**

Authored by: J.Anderson

Approved by: K.Plunkett

## A) DESCRIPTION

The Ceramic Disc Sub is a simple and economical tool used for snubbing and pump-out applications. The disc sub uses a proven ceramic burst disc with a concave shape that provides outstanding pressure resistance below the sub. A dual disc option is available that provides high pressure resistance above and below the sub. The ceramic burst disc offers excellent resistance to harsh chemicals and temperature variations downhole.

The disc sub is run on the bottom of the tubing or below a production packer. After setting the packer, the disc is burst to allow for production. The single disk option can be opened with pressure or a drop bar. While the dual disk option must be opened with a drop bar. The sub's full open ID after pump out allows for unrestricted flow through the tubing with little to no debris left in the wellbore.

D&L offers Ceramic Disc Subs in a variety of sizes, configurations, and ODs for a wide range of applications.

## B) SPECIFICATION GUIDE

TUBING SIZE (INCHES)	TOOL		THREAD CONNECTION BOX UP / PIN DOWN	PART NUMBER
	GAGE OD (INCHES)	ID (INCHES)		
2-3/8	3.04	2.00	2-3/8 EUE	59220BP
	2.91	2.00	2-3/8 EUE	59220SBP
2-7/8	3.65	2.45	2-7/8 EUE	59227BP
	3.46	2.45	2-7/8 EUE	59227SBP
3-1/2	4.50	2.99	3-1/2 EUE	59235BP
	4.18	2.99	3-1/2 EUE	59235SBP

DIFFERENTIAL PRESSURE ABOVE (MAX)	DIFFERENTIAL PRESSURE BELOW (MAX)
1,000 PSI	10,000 PSI

**D & L OIL TOOLS**  
P.O. BOX 52220 TULSA, OK 74152  
PHONE: (800) 441-3504 [www.dloiltools.com](http://www.dloiltools.com)



# CERAMIC DISC SUB, BOX X PIN, 1K/10K

Manual No:  
**DL-592-0000-1392**

Revision: **B**

Revision Date:  
**05/02/2023**

Authored by: J.Anderson

Approved by: K.Plunkett

## C) PRE-INSTALLATION INSPECTION PROCEDURES

**CAUTION:** D&L ships tool connections made-up **HAND TIGHT**—labeled with hand-tight tape on the tool (Fig. 1)—unless stated otherwise. Tighten/torque all connections properly before operating tool.



Fig. 1

GENERAL THREAD CONNECTION TORQUE RECOMMENDATIONS			
STUB ACME / ACME THREADS	INTERNAL TAPERED TUBING THREADS		PREMIUM THREADS
	UP TO 2-3/8"	GREATER THAN 2-3/8"	
600 – 800 FT-LBS	600 – 800 FT-LBS	800 – 1,200 FT-LBS	Consult thread manufacturer's recommendations.

Before first use, D&L recommends disassembly and inspection of the tool unless stated otherwise. Ensure parts have not been damaged during shipping. Replace damaged parts with D&L replacement parts. Contact D&L sales for replacement part information.

Re-assemble the tool after inspection. Install parts in the correct order and orientation. Properly tighten connections.

## D) STORAGE RECOMMENDATIONS

When preparing the tool for storage, follow the Pre-Installation Inspection Procedures. Re-assemble the tool with connections hand-tight only and in running position if applicable.

Store the tool, if possible, in an enclosed, temperature and humidity controlled environment. Avoid excessively high temperatures over long periods of time. Shield elastomeric parts from ultraviolet light sources. Keep tool dry and protected from condensation. Do not store in contact with or near volatile or corrosive chemicals. Do not store near ozone generating equipment or operations such as welding.

## E) ELASTOMER TRIM TEMPERATURE GUIDE

RUBBER TYPE	TEMPERATURE RANGE
HSN (HNBR)	70° - 300°F
VITON	100° - 350°F

## F) RECOMMENDED HAND TOOLS

- VISE
- GLOVES
- ALLEN WRENCHES
- TAPE MEASURE
- O-RING PICK
- BAR
  - 1/2-INCH
  - 3/4-INCH
- PAINT BRUSH, 2-INCH
- PIPE WRENCH, 3-FT (2 EA)
- “CHEATER” PIPE, 4-FT LONG
- ADJUSTABLE WRENCH, 12-INCH
- STRAP WRENCH
- CORDLESS DRILL, 18V
- SNAP RING SPREADER PLIERS
- ALIGNING PUNCH
- SCREWDRIVER SET, FLAT-TIPPED
- SOCKET SETS
  - 3/8-INCH DRIVE
  - 1/2-INCH DRIVE
- HAMMERS
  - SLEDGE
  - BALL PEEN
  - DEAD BLOW

## G) DISASSEMBLY

G-1) Clamp top sub (1) in vise.

G-1.1) Unscrew and remove mule shoe bottom (2) from top sub (1).

G-1.2) Remove o-ring (6) from burst disc (3) and top sub (1).

G-1.3) Remove burst disc (3) from top sub (1).

G-2) Unclamp top sub (1) and remove from vise.

G-3) Remove o-rings (4, 5) from top sub (1).



# CERAMIC DISC SUB, BOX X PIN, 1K/10K

Manual No:  
**DL-592-0000-1392**

Revision: **B**

Revision Date:  
**05/02/2023**

Authored by: J.Anderson

Approved by: K.Plunkett

## H) ASSEMBLY

**NOTE2:** Clean and inspect all parts. Replace all worn and damaged parts. Install parts in proper order and orientation.

H-1) Install o-rings (4,5) in o-ring grooves in top sub (1).

H-2) Clamp top sub (1) in vise.

H-2.1) Install burst disc (3) into top sub (1).

**CAUTION:** Do not rip or tear o-ring during installation.

H-2.2) Install o-ring (6) in space between top sub (1) and burst disc (3).

H-2.3) Screw mule shoe bottom (2) into top sub (1).

**CAUTION:** Do not rip or tear o-rings during installation.

H-3) Unclamp top sub (1) and remove assembled tool from vise.

## I) PARTS LIST

### I-1) 2-3/8"

ITEM	QTY	DESCRIPTION	MATERIAL	P/N 59220BP
1	1	TOP SUB	DLMS110	59220610
2	1	BOTTOM SUB	DLMS110	59220630
3	1	CERAMIC BURST DISC 2-3/8	ALUMINA	100441
4	1	144 O-RING	90 DURO HSN	90144H
5	1	230 O-RING	90 DURO HSN	90230H
6	1	330 O-RING	90 DURO HSN	90330H

ASSEMBLED WEIGHT	11 LBS
------------------	--------

### I-2) 2-3/8", Slim OD

ITEM	QTY	DESCRIPTION	MATERIAL	P/N 59220SBP
1	1	TOP SUB	DLMS110	59220S610
2	1	BOTTOM SUB	DLMS110	59220S630
3	1	CERAMIC BURST DISC 2-3/8	ALUMINA	100441
4	1	144 O-RING	90 DURO HSN	90144H
5	1	230 O-RING	90 DURO HSN	90230H
6	1	330 O-RING	90 DURO HSN	90330H

ASSEMBLED WEIGHT	9 LBS
------------------	-------



# CERAMIC DISC SUB, BOX X PIN, 1K/10K

Manual No:  
**DL-592-0000-1392**

Revision: **B**

Revision Date:  
**05/02/2023**

Authored by: J.Anderson

Approved by: K.Plunkett

## D) PARTS LIST (cont'd)

### I-3) 2-7/8"

ITEM	QTY	DESCRIPTION	MATERIAL	P/N 59227BP
1	1	TOP SUB	DLMS80	59227610
2	1	BOTTOM SUB	DLMS80	59227630
3	1	CERAMIC BURST DISC 2-7/8	ALUMINA	100442
4	1	151 O-RING	90 DURO HSN	90151H
5	1	234 O-RING	90 DURO HSN	90234H
6	1	334 O-RING	90 DURO HSN	90334H

ASSEMBLED WEIGHT	16 LBS
------------------	--------

### I-4) 2-7/8", Slim OD

ITEM	QTY	DESCRIPTION	MATERIAL	P/N 59227SBP
1	1	TOP SUB	DLMS110	59227S610
2	1	BOTTOM SUB	DLMS110	59227S630
3	1	CERAMIC BURST DISC 2-7/8	ALUMINA	100442
4	1	151 O-RING	90 DURO HSN	90151H
5	1	234 O-RING	90 DURO HSN	90234H
6	1	334 O-RING	90 DURO HSN	90334H

ASSEMBLED WEIGHT	13 LBS
------------------	--------

### I-5) 3-1/2"

ITEM	QTY	DESCRIPTION	MATERIAL	P/N 59235BP
1	1	TOP SUB	DLMS110	59235610
2	1	BOTTOM SUB	DLMS110	59235630
3	1	CERAMIC BURST DISC 3-1/2	ALUMINA	100745
4	1	237 O-RING	90 DURO HSN	90237H
5	1	238 O-RING	90 DURO HSN	90238H
6	1	338 O-RING	90 DURO HSN	90338H

ASSEMBLED WEIGHT	24 LBS
------------------	--------



# CERAMIC DISC SUB, BOX X PIN, 1K/10K

Manual No:  
**DL-592-0000-1392**

Revision: **B**

Revision Date:  
**05/02/2023**

Authored by: *J.Anderson*

Approved by: *K.Plunkett*

## D) PARTS LIST (cont'd)

### I-6) 3-1/2", Slim OD

ITEM	QTY	DESCRIPTION	MATERIAL	P/N 59235SBP
1	1	TOP SUB	DLMS110	59235S610
2	1	BOTTOM SUB	DLMS110	59235S630
3	1	CERAMIC BURST DISC 3-1/2	ALUMINA	100745
4	1	237 O-RING	90 DURO HSN	90237H
5	1	238 O-RING	90 DURO HSN	90238H
6	1	338 O-RING	90 DURO HSN	90338H

ASSEMBLED WEIGHT		18 LBS
------------------	--	--------



# CERAMIC DISC SUB, BOX X PIN, 1K/10K

Manual No:  
**DL-592-0000-1392**

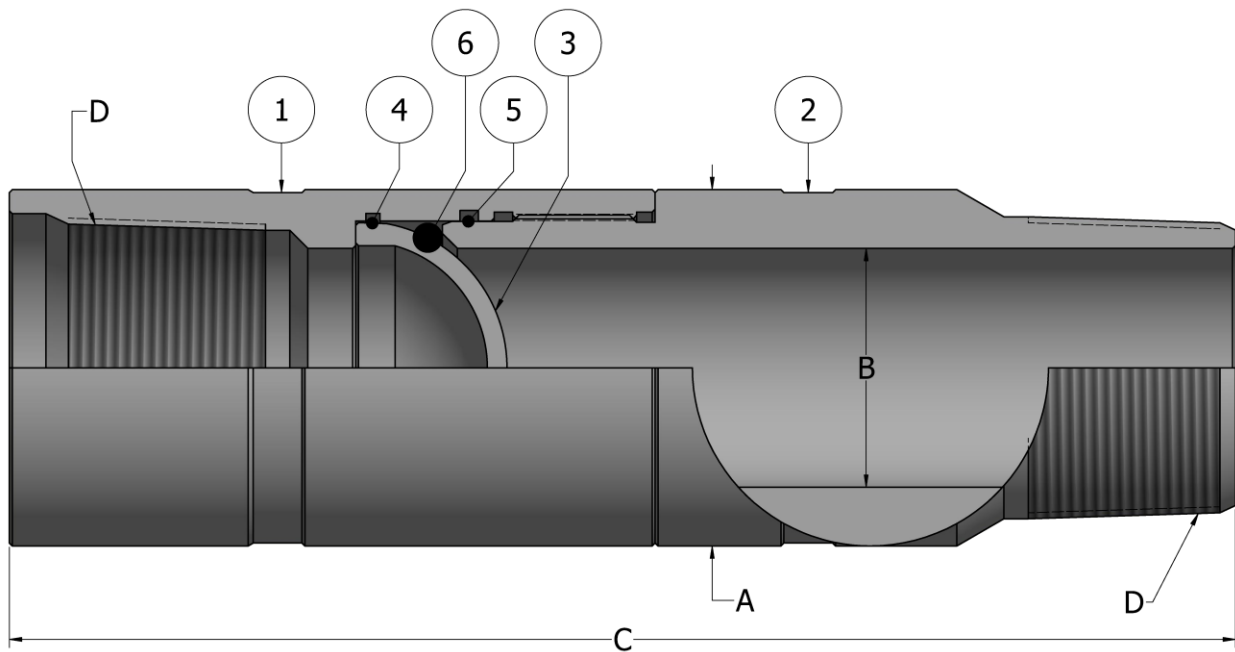
Revision: **B**

Revision Date:  
**05/02/2023**

Authored by: *J.Anderson*

Approved by: *K.Plunkett*

## J) TECHNICAL ILLUSTRATION



PART NUMBER	A	B	C	D
	MAX. TOOL OD (INCHES)	MIN. TOOL ID (INCHES)	TOOL LENGTH (INCHES)	THREAD CONNECTION
59220BP	3.04	2.00	12.50	2-3/8 EUE
59220SBP	2.91	2.00	12.50	2-3/8 EUE
59227BP	3.65	2.45	12.97	2-7/8 EUE
59227SBP	3.46	2.45	12.97	2-7/8 EUE
59235BP	4.50	2.99	13.42	3-1/2 EUE
59235SBP	4.18	2.99	13.42	3-1/2 EUE



# CERAMIC DISC SUB, BOX X PIN, 1K/10K

Manual No:  
**DL-592-0000-1392**

Revision: **B**

Revision Date:  
**05/02/2023**

*Authored by: J.Anderson*

*Approved by: K.Plunkett*

## K) REVISION HISTORY

DATE	REVISION	DESCRIPTION OF CHANGES	REVISED BY	APPROVED BY
05/02/2023	B	Revised P/N 90144H was 90143H, tool lengths	J.Anderson	D.McKeon
10/12/2020	A	Created new manual	-	-