



WIRESLINE ADAPTER KIT FOR PERMAPAK SEAL BORE PACKER 9-5/8" X 3.250"

Manual No:
DL-970-9625-1671

Revision: **A**

Revision Date:
05/05/2023

Authored by: *J.Anderson*

Approved by: *E.Visaez*

A) DESCRIPTION

The Wireline Adapter Kit (WLAK) for Permapak Packer is designed to set Permapak Seal Bore Packers with industry standard wireline pressure setting assemblies or comparable equipment.

This setting equipment can also be used with hydraulic setting tools that are configured like the standard setting tool. The setting equipment is designed so the outer sleeve can be adjusted to provide a proper make up to the packer.

NOTE₁: Refer to applicable Permapak Packer technical manual(s) for packer specific technical information including operating procedures and packer disassembly.

NOTE₂: This packer requires at least a 30 second burn on the wireline setting tool to ensure a proper set. A burn time less than 30 seconds may shear the setting tool off of the packer before fully setting the packer.

B) RELATED TOOLS (sold separately)

B-1) 9-5/8" X 3.250" Small Bore Permapak Packers (P/N varies depending on customer requirements)—refer to applicable technical manual.

C) SPECIFICATION GUIDE

CASING SIZE (INCHES)	TOOL OD (INCHES)	PRESSURE SETTING TOOL	PART NUMBER
9-5/8	8.00	#20 BAKER E-4	97093

D) PRE-INSTALLATION INSPECTION PROCEDURES

CAUTION₁: Tighten/torque all connections properly before operating tool.

GENERAL THREAD CONNECTION TORQUE RECOMMENDATIONS			
STUB ACME / ACME THREADS	INTERNAL TAPERED TUBING THREADS		PREMIUM THREADS
	UP TO 2-3/8"	GREATER THAN 2-3/8"	
600 – 800 FT-LBS	600 – 800 FT-LBS	800 – 1,200 FT-LBS	Consult thread manufacturer's recommendations.

GENERAL SCREW TORQUE RECOMMENDATIONS									
SCREW SIZE (INCHES)	#6	#8	#10	1/4	5/16	3/8	7/16	1/2	5/8 and larger
TORQUE RANGE (INCH-POUNDS)	5 – 8	10 – 15	18 – 25	25 – 40	50 – 80	90 – 135	160 – 210	250 – 330	450 - 650

Before first use, D&L recommends disassembly and inspection of the tools unless stated otherwise. Ensure parts have not been damaged during shipping. Replace damaged parts with D&L replacement parts. Contact D&L sales for replacement part information.

Before re-using the tool, D&L recommends disassembly and inspection of the tool. Clean parts and ensure parts are in good working condition. Replace worn or damaged parts with D&L replacement parts.

E) OPERATING PROCEDURES

CAUTION₂: Do not run the tool without properly tightening connections. Running the tool with loose connections may damage the tool and cause malfunction.

D & L OIL TOOLS
P.O. BOX 52220 TULSA, OK 74152
PHONE: (800) 441-3504 www.dloiltools.com



WIRELINE ADAPTER KIT FOR PERMAPAK SEAL BORE PACKER 9-5/8" X 3.250"

Manual No:
DL-970-9625-1671

Revision: **A**

Revision Date:
05/05/2023

Authored by: *J.Anderson*

Approved by: *E.Visaez*

Assemble the WLAK to the packer and the pressure setting assembly. Run Permapak packer to the desired depth. Follow the pressure setting assembly manufacturer's procedures for setting equipment. The WLAK disconnects from the packer as part of the setting procedure. After setting packer, retrieve setting assembly and disassemble.

F) STORAGE RECOMMENDATIONS

When preparing the tool for storage, follow the Pre-Installation Inspection Procedures.

Store the tool, if possible, in an enclosed, temperature and humidity controlled environment. Avoid excessively high temperatures over long periods of time. Keep tool dry and protected from condensation. Do not store in contact with or near volatile or corrosive chemicals. Do not store near ozone generating equipment or operations such as welding.

G) RECOMMENDED HAND TOOLS

- VISE
- GLOVES
- ALLEN WRENCHES
- TAPE MEASURE
- O-RING PICK
- BAR
 - 1/2-INCH
 - 3/4-INCH
- PAINT BRUSH, 2-INCH
- PIPE WRENCH, 3-FT (2 EA)
- "CHEATER" PIPE, 4-FT LONG
- ADJUSTABLE WRENCH, 12-INCH
- CORDLESS DRILL, 18V
- SNAP RING SPREADER PLIERS
- ALIGNING PUNCH
- SCREWDRIVER SET, FLAT-TIPPED
- SOCKET SETS
 - 3/8-INCH DRIVE
 - 1/2-INCH DRIVE
- HAMMERS
 - SLEDGE
 - BALL PEEN
 - DEAD BLOW

H) ASSEMBLY ONTO PRESSURE SETTING ASSEMBLY AND PERMAPAK PACKER

NOTE₃: Clean and inspect all parts. Replace all worn and damaged parts. Install parts in proper order, and orientation and tighten/torque all connections properly.

H-1) Install setting sleeve (1) over lower end of pressure setting assembly.

NOTE₄: Pressure setting assembly is not part of WLAK and is not shown.

H-2) With setting sleeve (1) slid up out-of-way, screw outer adapter (3) onto pressure setting assembly. Make up wrench tight.

H-3) Screw set screws (4) into outer adapter (3).

H-4) Assemble inner adapter assembly and install:

H-4-.1) Screw inner adapter cap (7) onto inner adapter mandrel (2).

H-4-.2) Screw set screw (6) into inner adapter cap (7).

H-4-.3) Screw inner adapter (2) onto pressure setting assembly.

H-4-.4) Screw set screws (5) into inner adapter (2).

H-5) Install and attach Permapak Packer to pressure setting assembly:

H-5-.1) Grease seal bore of Permapak Packer.

H-5-.2) Install top sub of Permapak Packer onto inner adapter cap (7).

H-5-.3) Align holes in top sub with holes in inner adapter cap (7). Install Driv-Lok pins (8) into top sub until flush with OD surface of top sub.

H-5-.4) Slide setting sleeve (1) down over outer adapter (3). Screw setting sleeve (1) onto outer adapter (3) (**NOTE₅:** Make up hand tight only).

H-5-.5) Screw set screw (5) into setting sleeve (1).



WIRELINE ADAPTER KIT
FOR PERMAPAK SEAL BORE PACKER
9-5/8" X 3.250"

Manual No:
DL-970-9625-1671

Revision: **A**

Revision Date:
05/05/2023

Authored by: *J.Anderson*

Approved by: *E.Visaez*

I) PARTS LIST

ITEM	QTY	DESCRIPTION	MATERIAL	PART NUMBER
1	1	SETTING SLEEVE	DLMS110	97093470
2	1	INNER ADAPTER MANDREL	DLMS110	97093461
3	1	OUTER ADAPTER	DLMS110	97120102
4	2	1/4-20 UNC X 1/4 SOCKET SET SCREW	STEEL	SSS025C025
5	4	5/16-18 UNC X 1/2 SOCKET SET SCREW	STEEL	SSS031C050
6	1	5/16-18 UNC X 5/8 SOCKET SET SCREW	STEEL	SSS031C062
7	1	INNER ADAPTER CAP	DLMS35	97093462
8	10	5/16 X 1 DRIV-LOK PIN (4800#)	4140	DLP031100

ASSEMBLED WEIGHT	97 LBS
------------------	--------

NOTE₆: Wireline pressure setting assembly sold separately by other manufacturer.



WIRELINER ADAPTER KIT
FOR PERMAPAK SEAL BORE PACKER
9-5/8" X 3.250"

Manual No:
DL-970-9625-1671

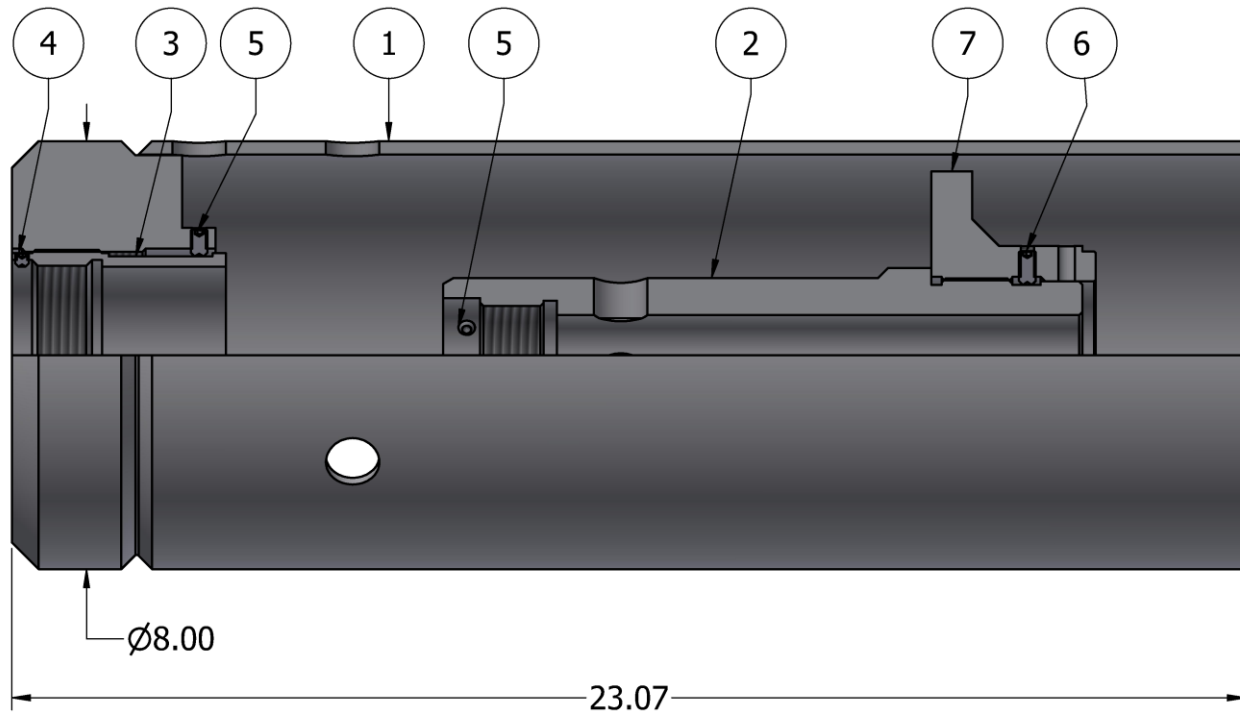
Revision: **A**

Revision Date:
05/05/2023

Authored by: *J.Anderson*

Approved by: *E.Visaez*

J) TECHNICAL ILLUSTRATION



K) REVISION HISTORY

DATE	REVISION	DESCRIPTION OF CHANGES	REVISED BY	APPROVED BY
05/05/2023	A	Created manual	-	-